

Description

The RL100 Access Control System is a self contained, electronically controlled, battery powered, weatherized, single-sided access control device. An 11 button numeric key pad and 4-10 digit user codes combined with Rentallock's eKey Technology truly make the RL100 a keyless access system, providing potentially unlimited user codes.

Specifications

Material: Zinc Alloy

Keypad: 11 alphanumeric acetal buttons

Internal Clock: 1 minute, automatic or manual daylight savings with leap year correction.

Power Supply: 4 AA alkaline cells in 2 weatherized battery packs.

Power Supply Life Expectancy: 5 years / 120,000 operations under normal operating conditions.

Programming Method: Windows Mobile™ software for Pocket PC running RL100 CE software.

Users: 1 Master Code, 8 Sub-Master Codes and 99 General Users.

eKey Users: Unlimited without PIN enabled, 1 with PIN enabled.

Maintenance eKey Users: 1024 codes available for each day.

Magnetic Card: Not Available at time of printing.

Key - Bypass: Standard on all units, available without.

HID proximity: Not Available at time of printing.

Audit Trail Events: 100 events.

Door Preparation: Standard ANSI 156.2 Door Preparation.

No additional holes needed.

Exposure: Fully weatherized.

Temperature: 0° to 54° C

Lock Body: Heavy duty Grade 1 Arrow Q-48 series (Standard) or Schlage D-80 series. 2 1/8 inch bore is required.

Latch: 2 2/3 inch backset standard, brass with 1/2 inch throw. 1 inch diameter bore is required.

Strike Plate: ANSI Standard 115.3. Square corner, 1-1/8 x 2-3/4 inch T strike with 1-1/4 lip-to-center dimension.

Handling: Shipped right handed. Field reversible.

Door Thickness: 1-3/4 inch standard (Schlage cylindrical locks available for up to 6 inch thick doors).

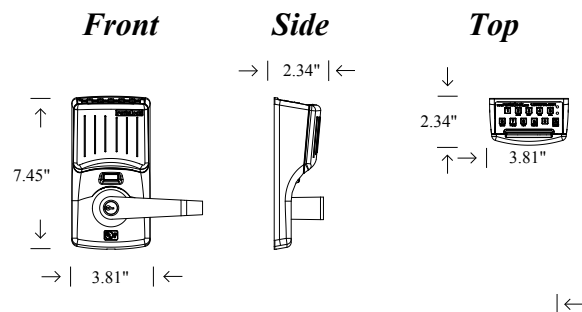
Key Cylinder: Solid brass 6 pin cylinder with two brass keys. Keyed 5 pin with Arrow 'CS' keyway on Arrow locks or Schlage 'C' keyway with Schlage locks.

I/C Core: For use with 6 or 7 pin small or large format I/C cores (I/C core not included)

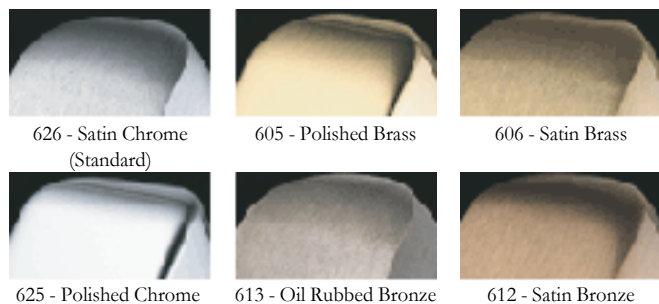
Electronics: FCC part 15 class A and CE directive 89/336/EEC compliant.

Accessibility Standard: Americans with Disabilities Act (ADA).

Dimensions



Available Finishes



Available Locksets

- Cylindrical
- Mortise
- Mortise Deadbolt
- Wall Mount System
- Exit System

Lockset Certifications

Cylindrical Lockset conforms to ANSI Standard 156.2, Series 4000, Grade 1 requirements. Mortise Lockset conforms to ANSI Standard 156.13, Series 1000, Grade 1 requirements. Conforms to Federal Specifications FFH106C, Type 161. Lever handles comply with The Americans with Disabilities Act of 1992. Lockset listed to UL standards for fire (90 minutes) by Underwriters Laboratories Inc.

Rentallock, Inc.
331 D'Evereaux Drive
Natchez, MS 39120
USA

P: 800.761.4991
F: 601.446.7300
E: sales@rentallock.com
W: www.rentallock.com

www.rentallock.com

Contact Rentallock for the name and location of a partner or affiliate in your area.